



# RODGARD

## PNEUMATIC TIRE RUN-FLAT SYSTEMS

SECURITY  
&  
MOBILITY

The **RODGARD** system allows the vehicle to be driven with one or more flat tires - this eliminates the immediate need to change to a spare tire and increases the mobility of the vehicle.

LEADERSHIP  
&  
EXPERIENCE

**RODGARD** Pneumatic Tire Run-Flat mobility products, with 25 years of industry leadership, will help keep your vehicle moving after a flat tire.

PROVEN  
PERFORMANCE

**RODGARD** designs Run-Flat devices to U.S. Army, NATO/FINABEL speed and distance standard of 50Km @ 50Km/hr. **RODGARD** has received TÜV (FTP92/1655/01/08) approval.



### ADVANCED MATERIAL COMPOUNDS

Lightweight, polyester elastomer materials provide maximum protection from breakage following a ballistic attack.

The proprietary material compound is strong enough to support the load of a fully armored vehicle.

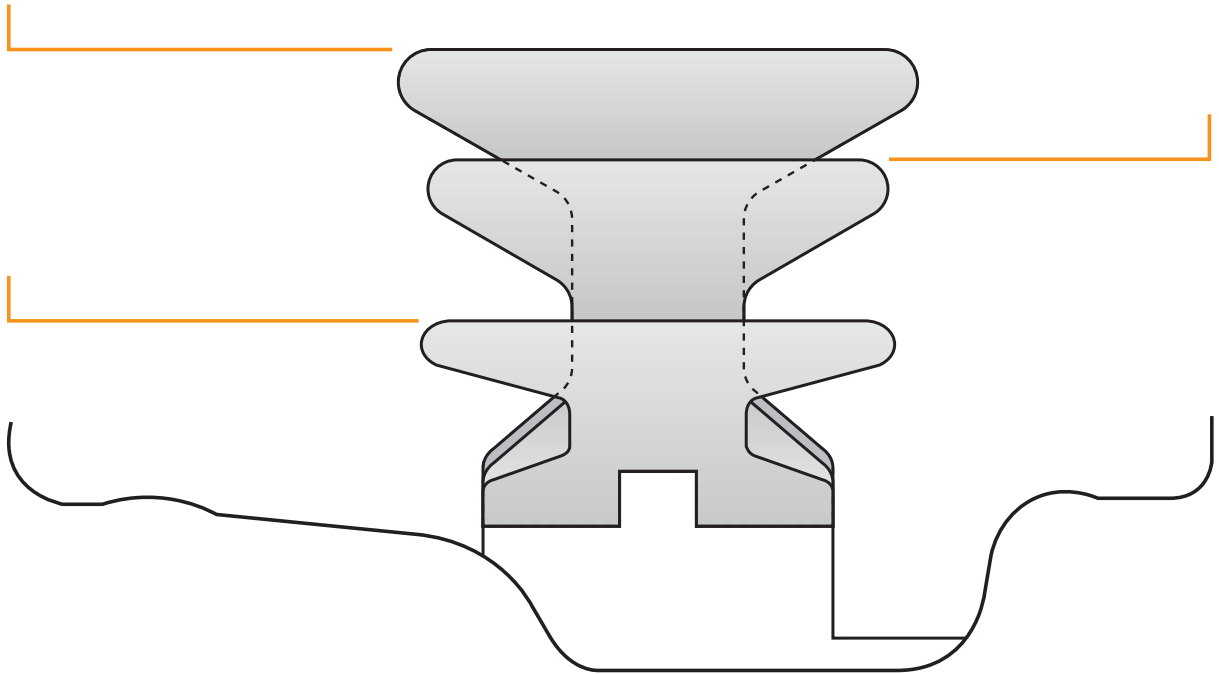
RODGARD STANDARD Profile

RODGARD

## Mobility After a Flat Tire

# RODGARD builds custom products to fit your tire size and vehicle load

## Specifications



For tire and wheel sizes from 14" rim diameter up to 22.5" rim diameter.  
**RODGARD** devices are easily fitted to standard tires and wheels.

### Respected Worldwide

**RODGARD** products are selected by vehicle builders and modification shops around the world. Armored VIP limousines, cash-in-transit vehicles, armored sport-utility vehicles, military vehicles and police vehicles depend on **RODGARD** for escape mobility after a flat tire.

### Designed By Skilled Technicians

Patent protected and engineered to compensate for the smaller circumference of the Run-Flat device, compared to the tire. The **RODGARD** system delivers improved handling, braking and acceleration with a deflated tire.



92 Msgr. Valente Drive  
Buffalo NY 14206  
Ph: (716) 852-1435  
Fax: (716) 852-7690  
email: sales@rodgard.com  
www.rodgard.com



RODGARD LOW Profile

a division of Hutchinson Industries